

	operation when directly connected to chimney
Energy label	A
Operating data	
Nominal heat power	10 kW
Efficiency	> 80 %
Consumption of wood	3 kg/h
Total heat output of the burning chamber	----
Mass flow of flue gas	9 g/s
Required chimney pressure	12 Pa
Required amount of combustion air	30 m ³ /h
Average flue gas temperature	
on the output	265 °C
Heat distribution	
fireplace insert	54-65 %
door glass (single / double)	46 / 35 %
adjoining accumulation mass	----
Information for ventilated builds	
Minimal grill area supply / outgoing	1200 / 1400 cm ²
Minimum distance from insulated areas / floor	80 / 0 mm
Reference insulation ² ceiling / back wall / side wall / floor	120 / 0 / 80 / 0 mm
Calciumsilicate insulation ³ ceiling / back wall / side wall / floor	90 / 0 / 60 / 0 mm
Information for non-ventilated builds (closed grills)	
Minimum radiant area ⁴	4 m ²
Minimum distance from insulated areas / floor	80 / 20 mm
Reference insulation ² ceiling / back wall / side wall / floor	160 / 0 / 100 / 20 mm
Calciumsilicate insulation ³ ceiling / back wall / side wall / floor	120 / 0 / 75 / 20 mm
General technical information	
Total weight / lining weight	ca. 250–370 / 105 kg
Burning chamber dimensions (width x depth)	810 x 315 mm
Combustion air connection	Ø 150 mm
Use in non-ventilated accumulation builds according to craft rules	suitable
Tested according to	EN 13229
Meets values	BlmSchV (Stufe2), 15a BVG

1 Listed value from testing. For accurate results is evaluation of each system in the Ortner / KOV program necessary.

2 Mineral wool according to AGI-Q 132

3 Example SkamoEnclousure Board 225 kg/m³

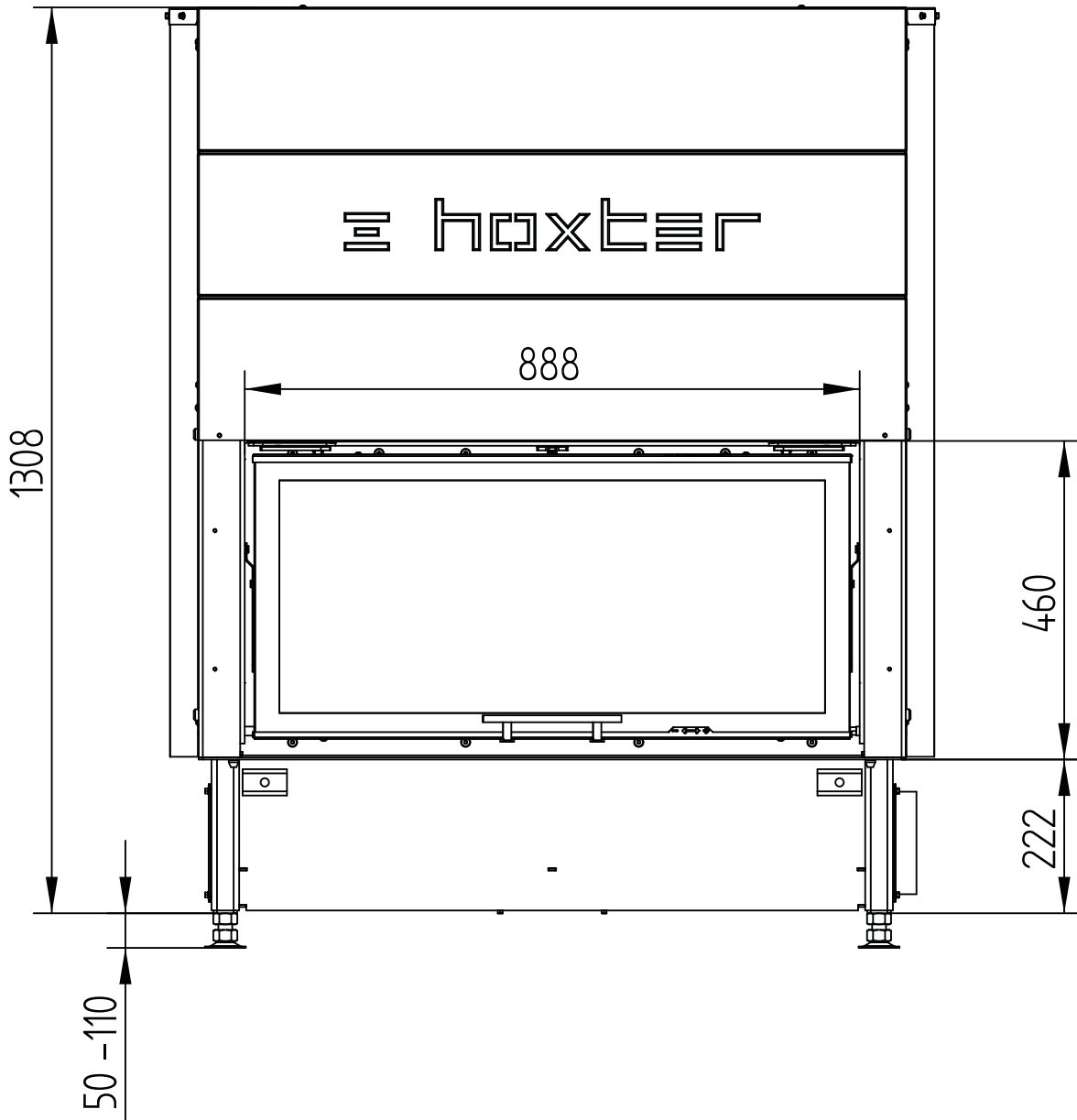
4 Depends on accumulation period and material characteristics. Listed values calculated with chamotte stone thickness 30 mm with radiant area 500 W/m²

HAKA 89/45 tunnel

Technical data
Version 2019/08

execution opening liftdoor / liftdoor

M 1:10

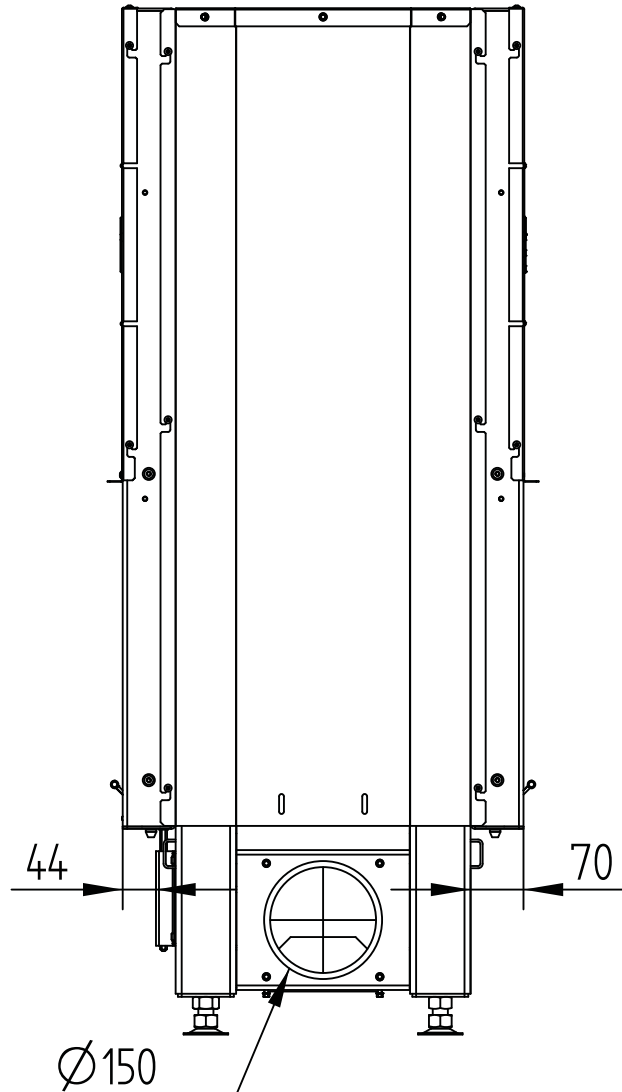


HAKA 89/45 tunnel

Technical data
Version 2019/08

execution opening liftdoor / liftdoor

M 1:10

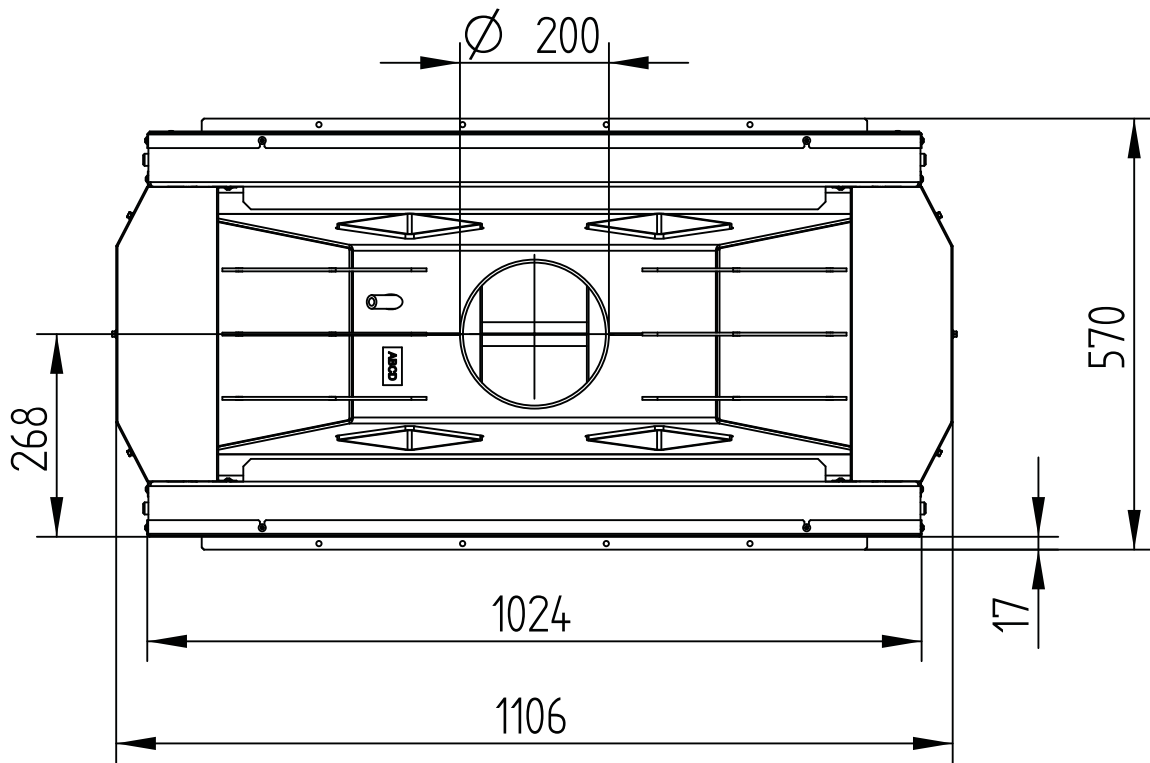


HAKA 89/45 tunnel

Technical data
Version 2019/08

execution opening liftdoor / liftdoor

M 1:10

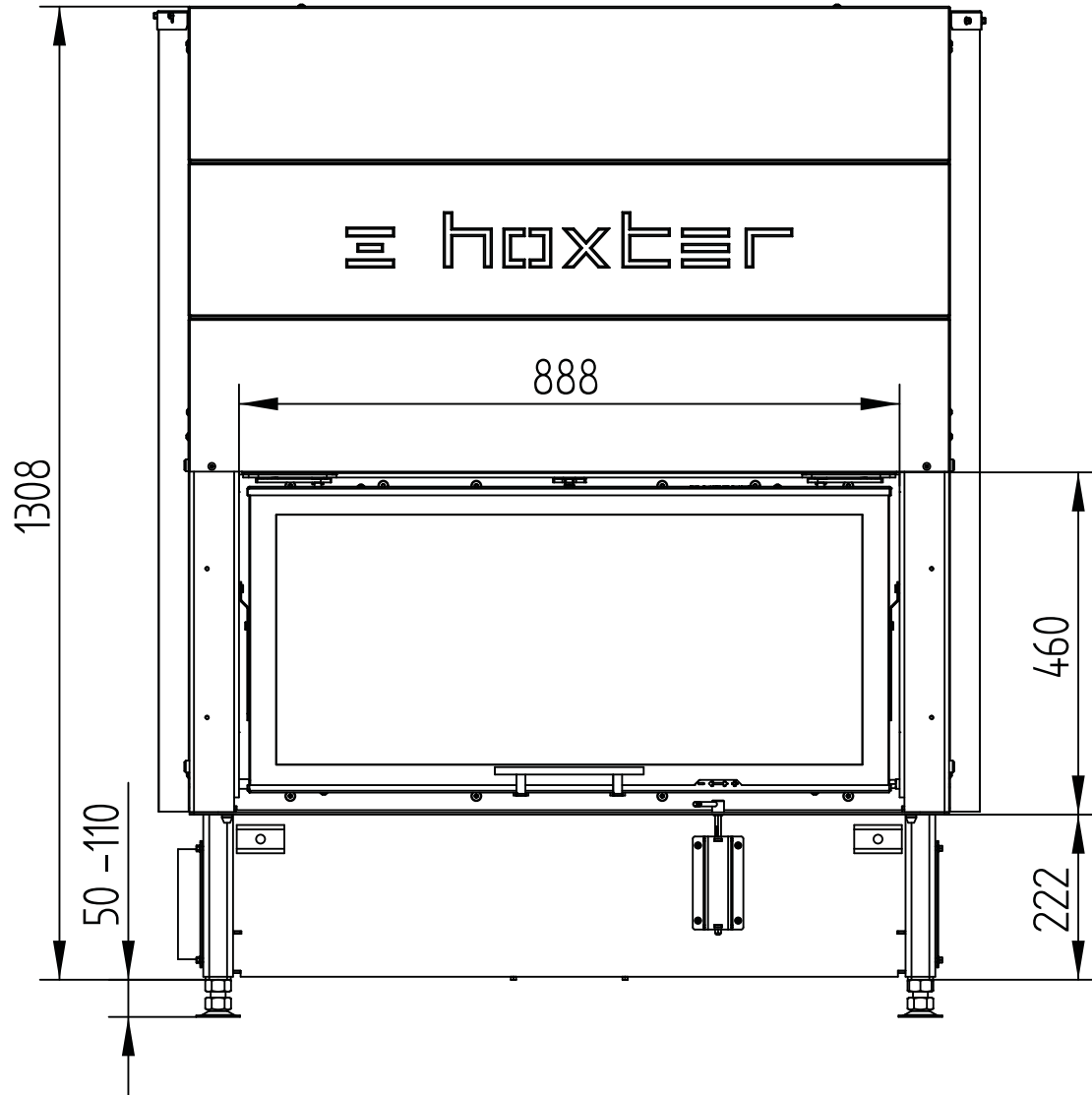


HAKA 89/45 tunnel

Technical data
Version 2019/08

execution opening liftdoor / side opening

M 1:10

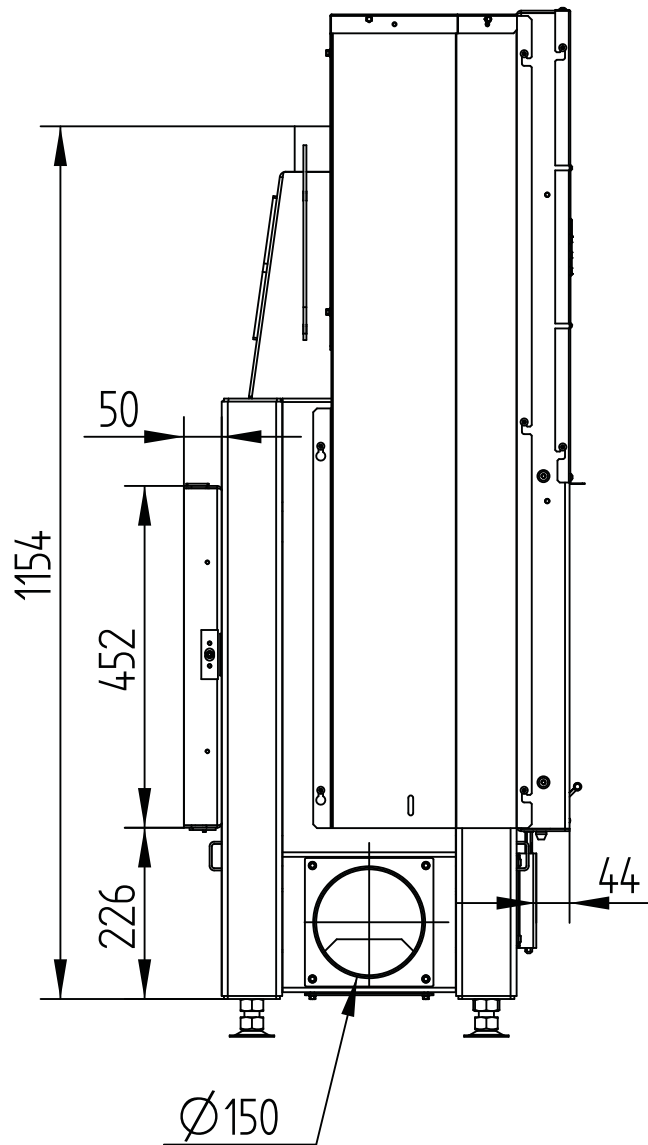


HAKA 89/45 tunnel

Technical data
Version 2019/08

execution opening liftdoor / side opening

M 1:10

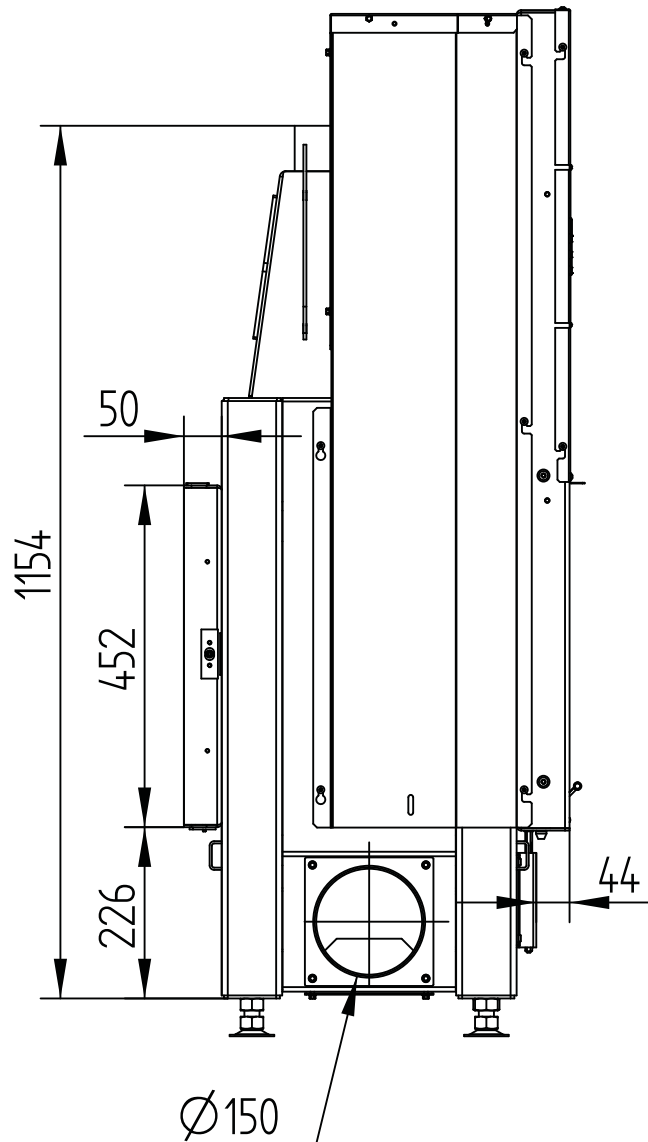


HAKA 89/45 tunnel

Technical data
Version 2019/08

execution opening liftdoor / side opening

M 1:10

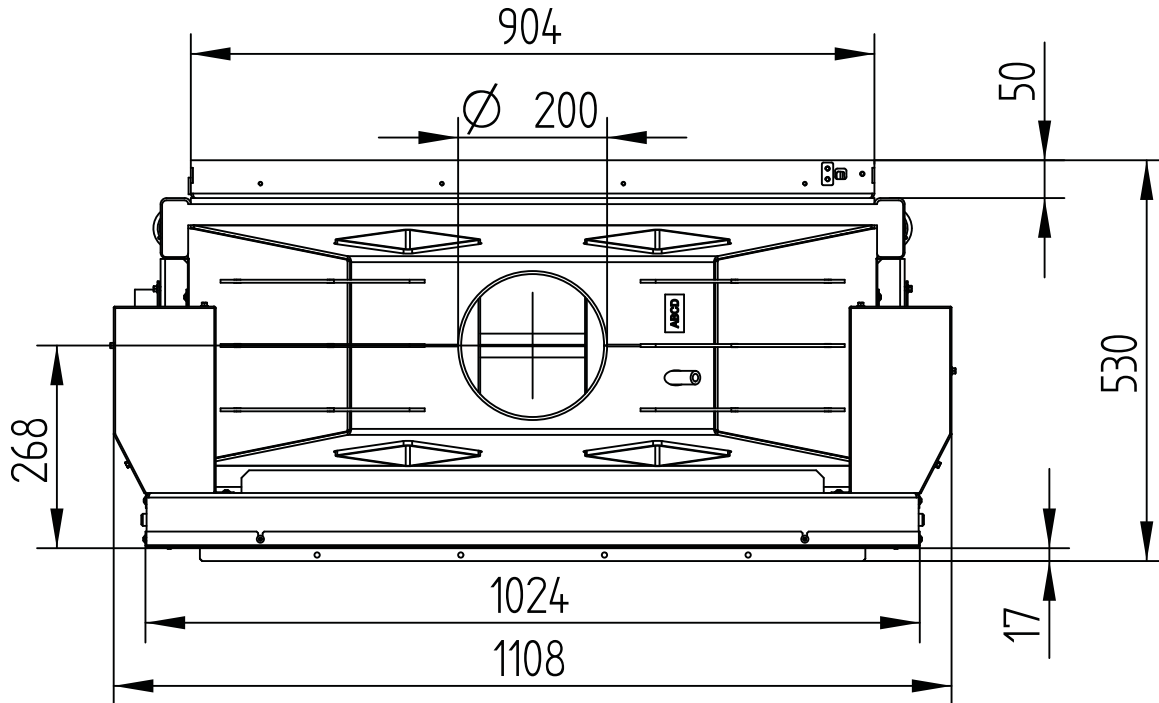


HAKA 89/45 tunnel

Technical data
Version 2019/08

execution opening liftdoor / side opening

M 1:10

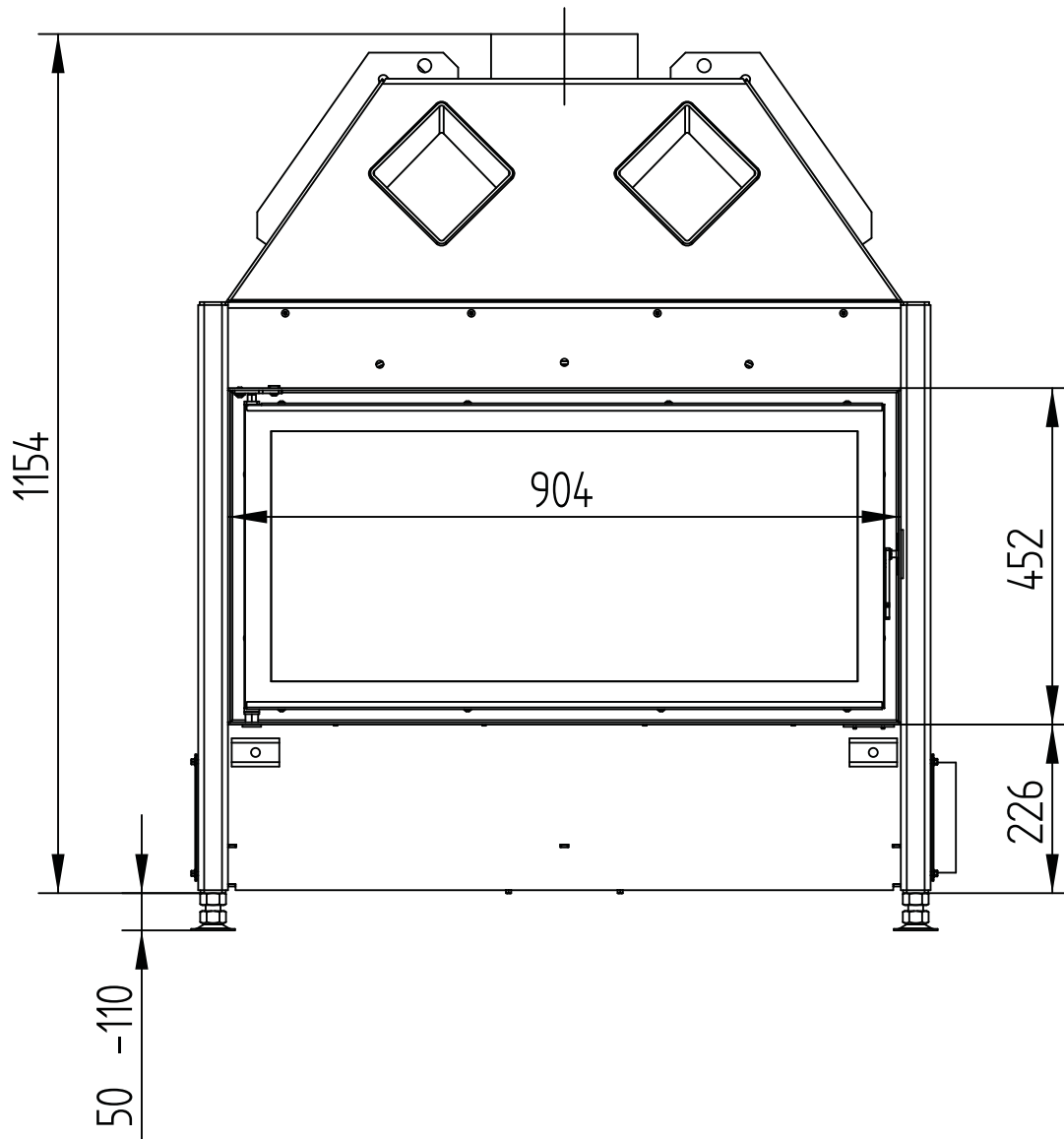


HAKA 89/45 tunnel

Technical data
Version 2019/08

execution opening side opening / side opening

M 1:10

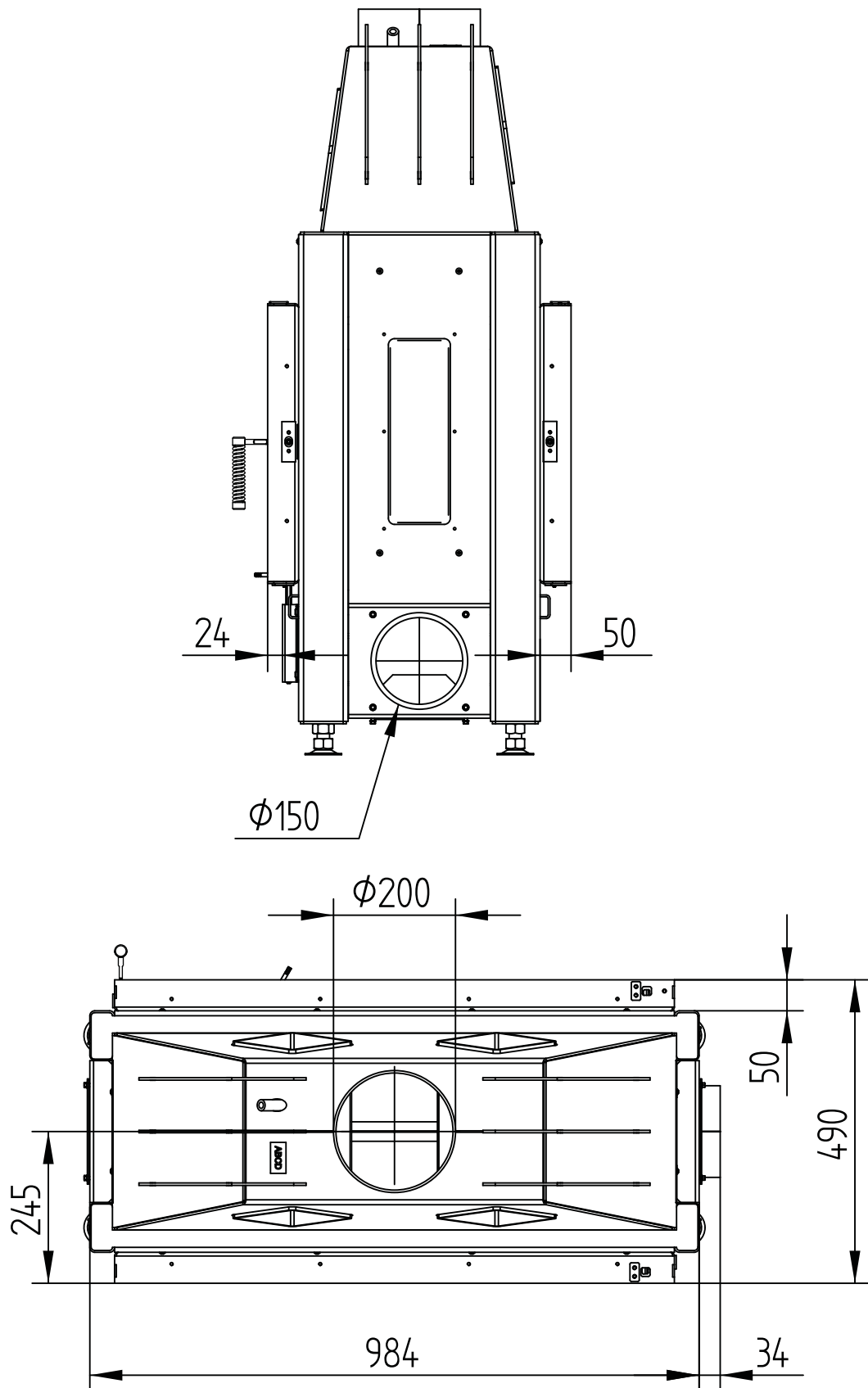


HAKA 89/45 tunnel

Technical data
Version 2019/08

execution opening side opening / side opening

M 1:10

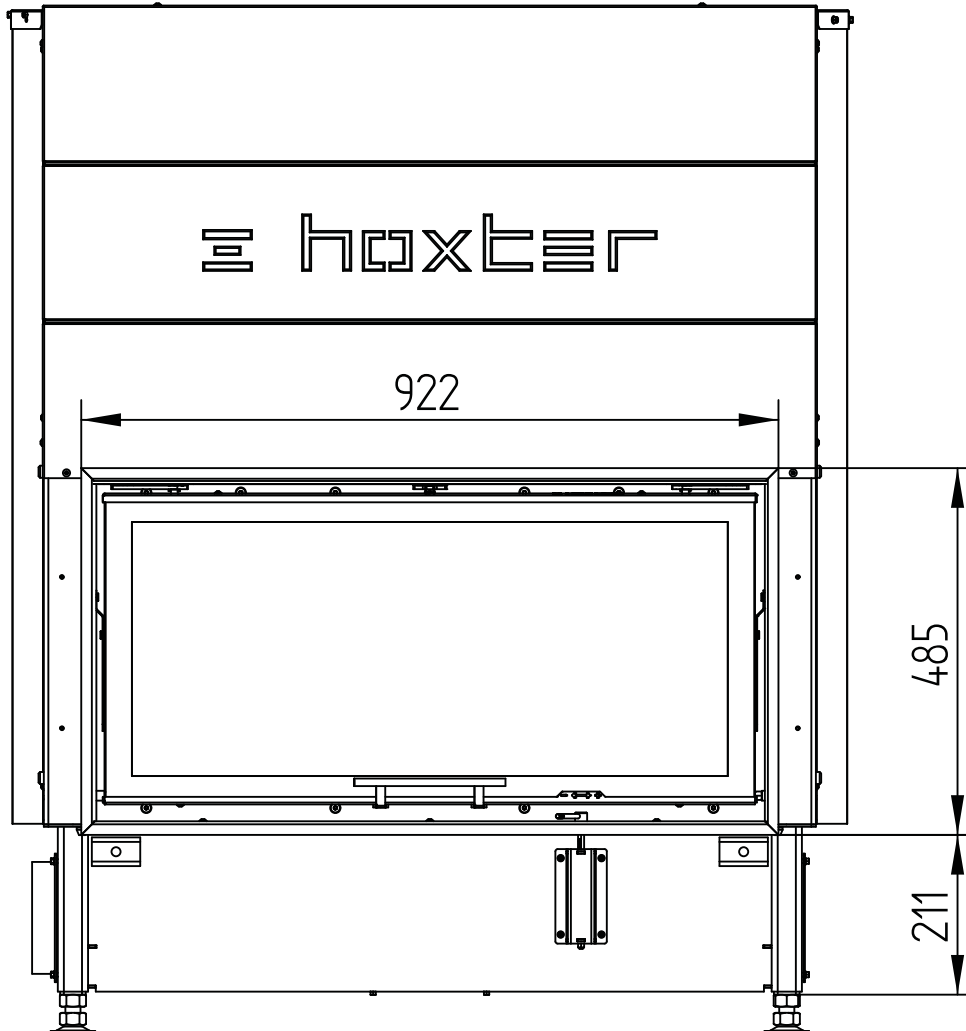


HAKA 89/45 tunnel

Technical data
Version 2019/08

cover frame 89/45 4sides 1 x 90°, 50 mm

M 1:10

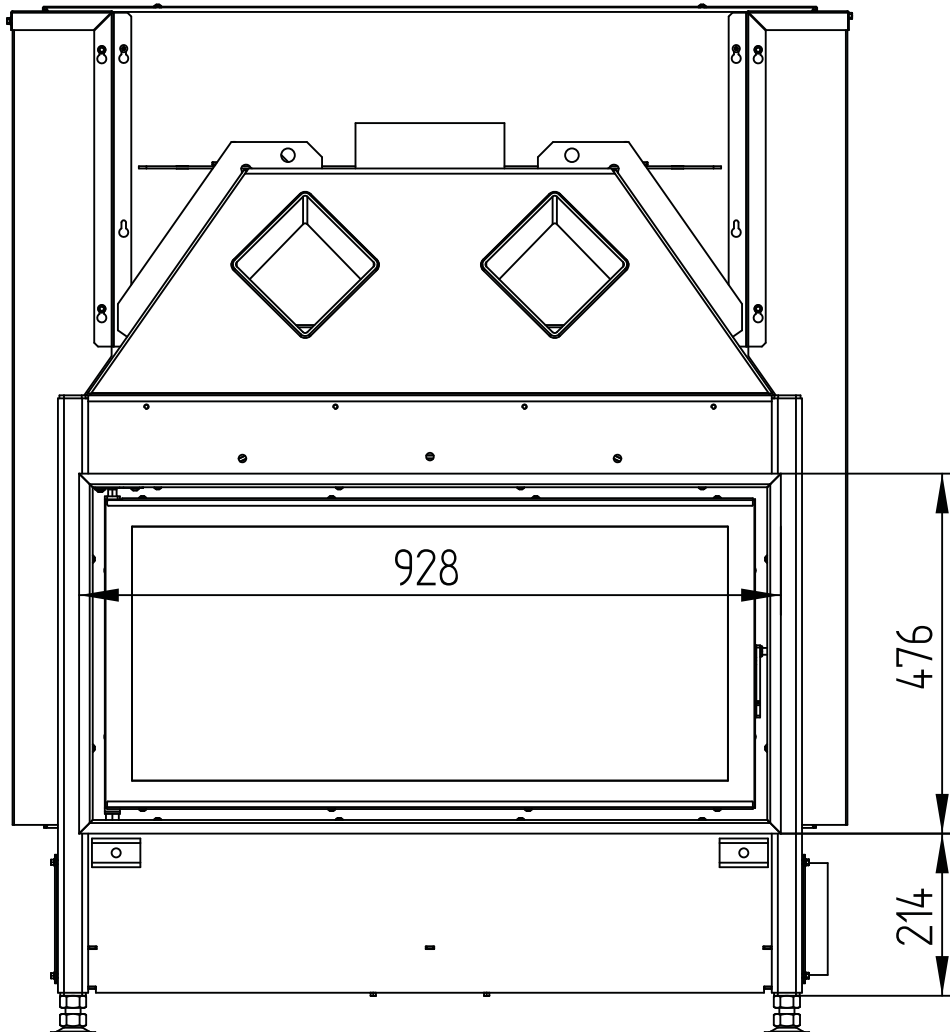


HAKA 89/45 tunnel

Technical data
Version 2019/08

cover frame 89/45 4sides 1 x 90°, 50 mm

M 1:10

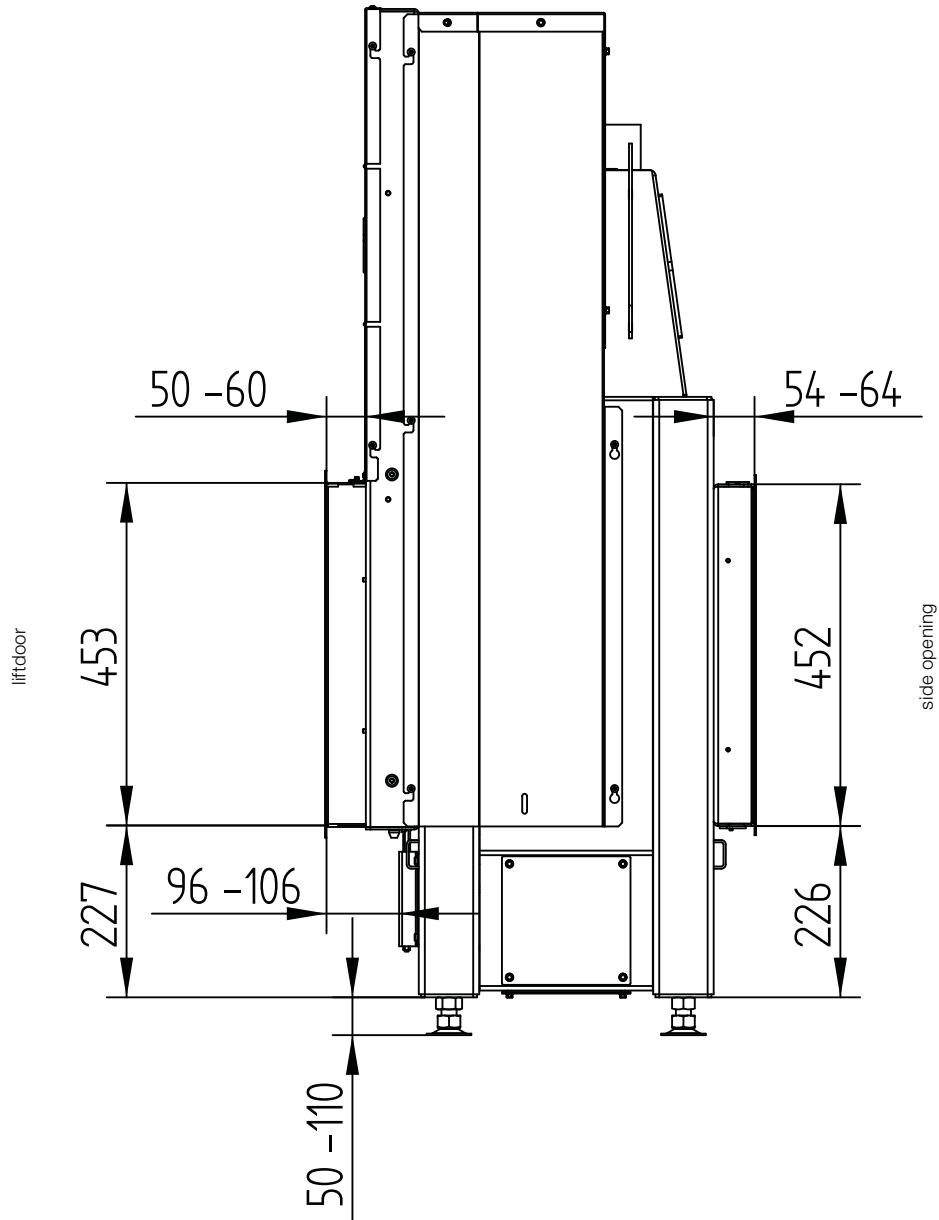


HAKA 89/45 tunnel

Technical data
Version 2019/08

cover frame 89/45 4sides 1 x 90°, 50 mm

M 1:10

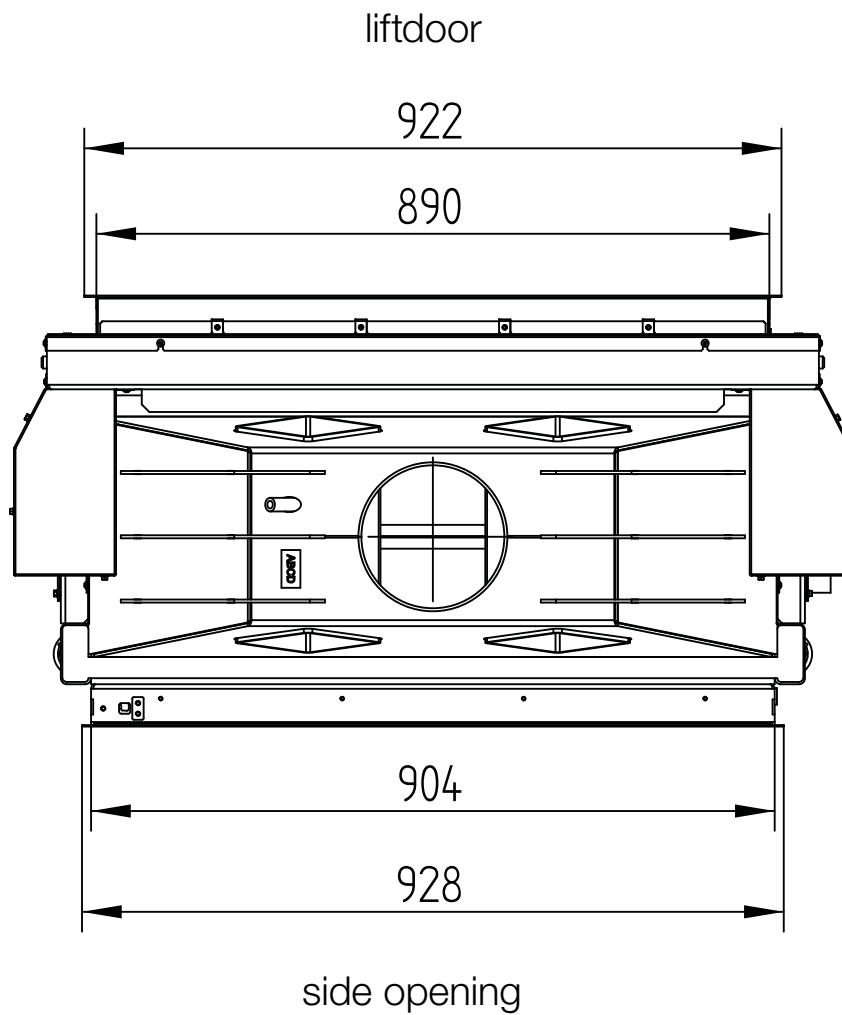


HAKA 89/45 tunnel

Technical data
Version 2019/08

cover frame 89/45 4sides 1 x 90°, 50 mm

M 1:10

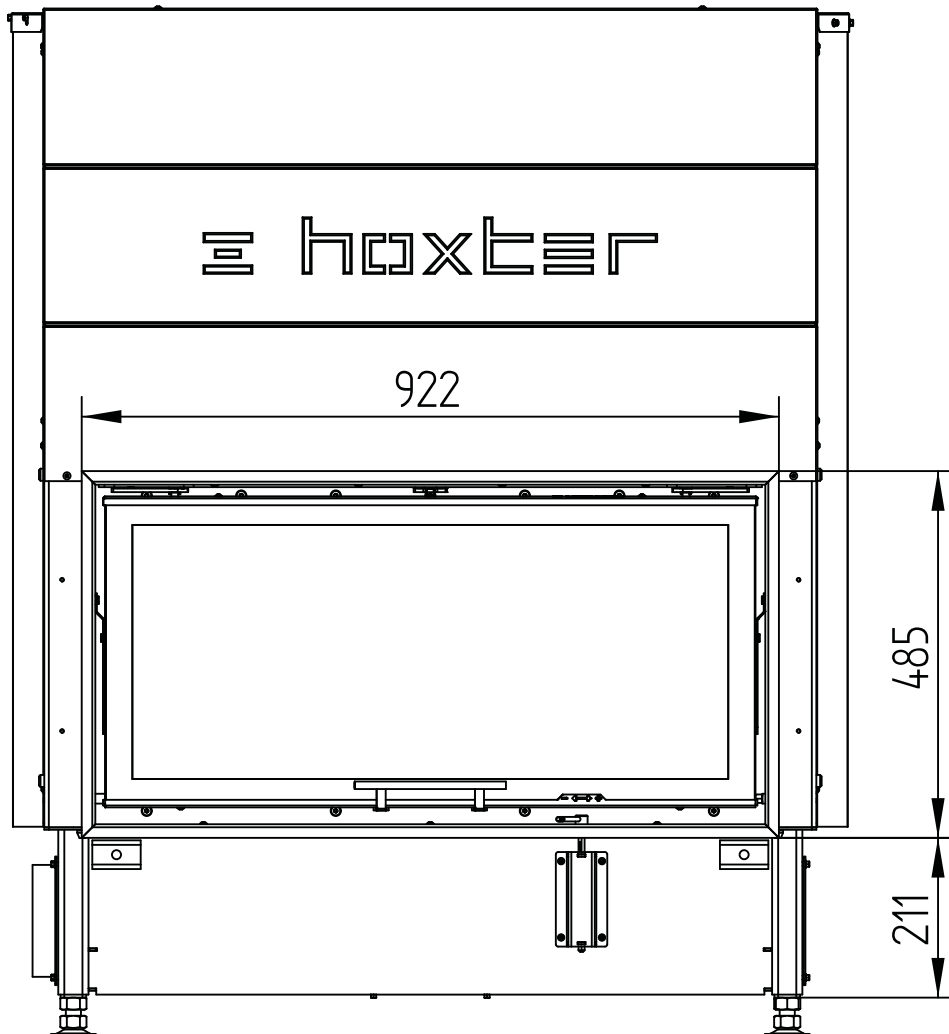


HAKA 89/45 tunnel

Technical data
Version 2019/08

cover frame 89/45 4sides 1 x 90°, 80 mm

M 1:10

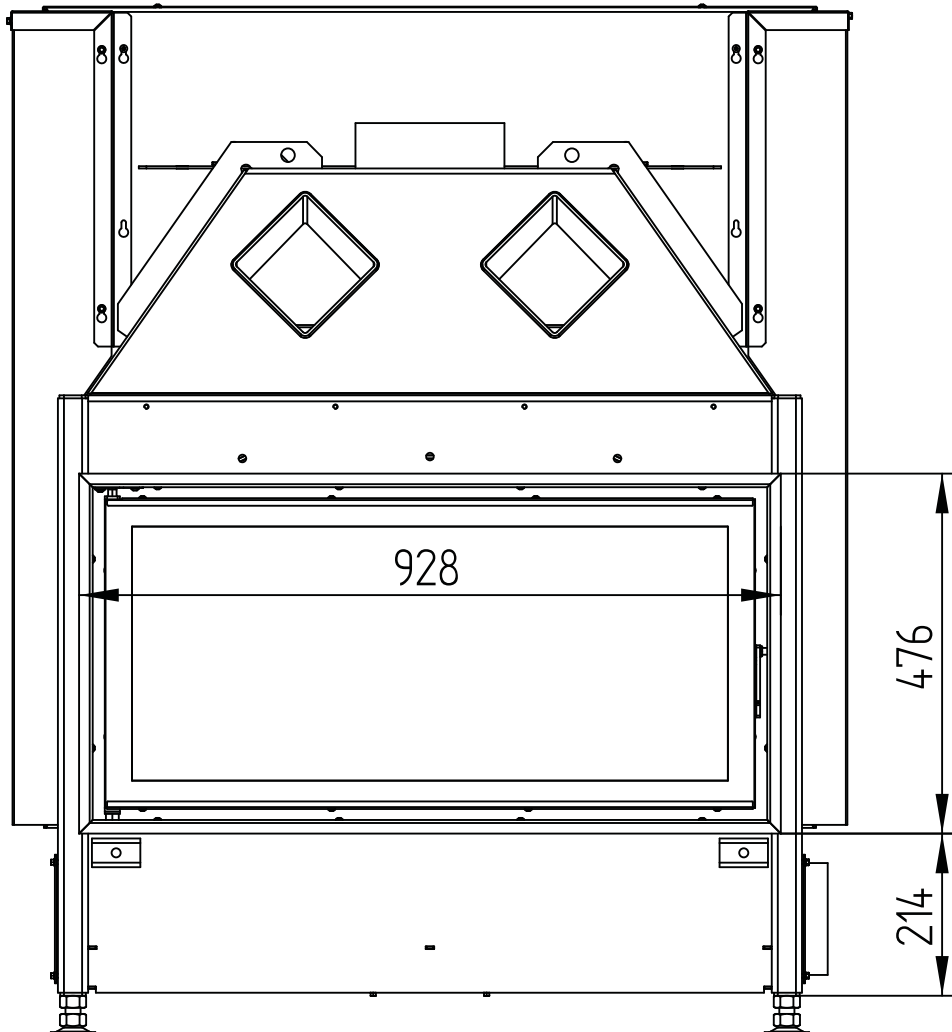


HAKA 89/45 tunnel

Technical data
Version 2019/08

cover frame 89/45 4sides 1 x 90°, 80 mm

M 1:10

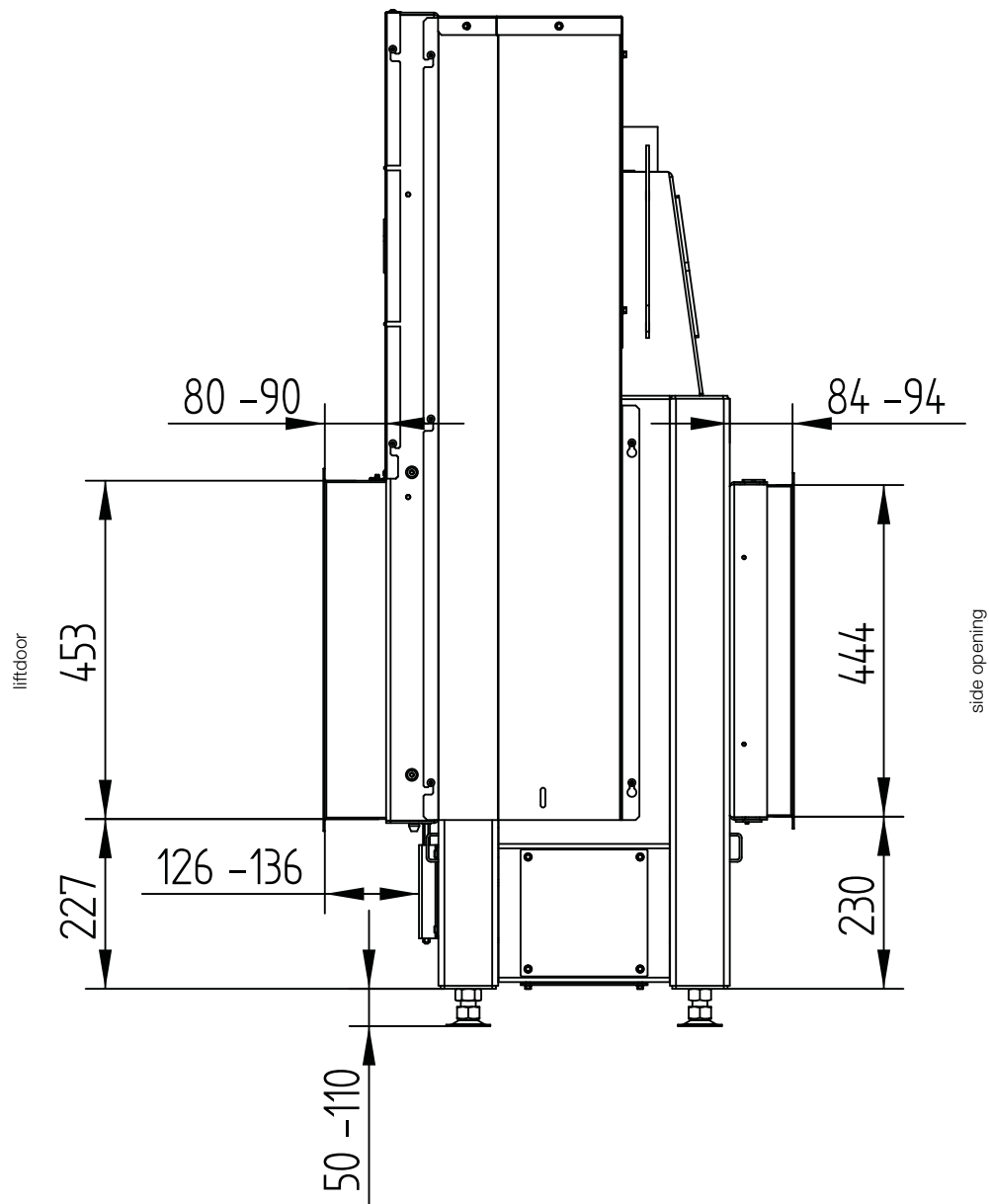


HAKA 89/45 tunnel

Technical data
Version 2019/08

cover frame 89/45 4sides 1 x 90°, 80 mm

M 1:10

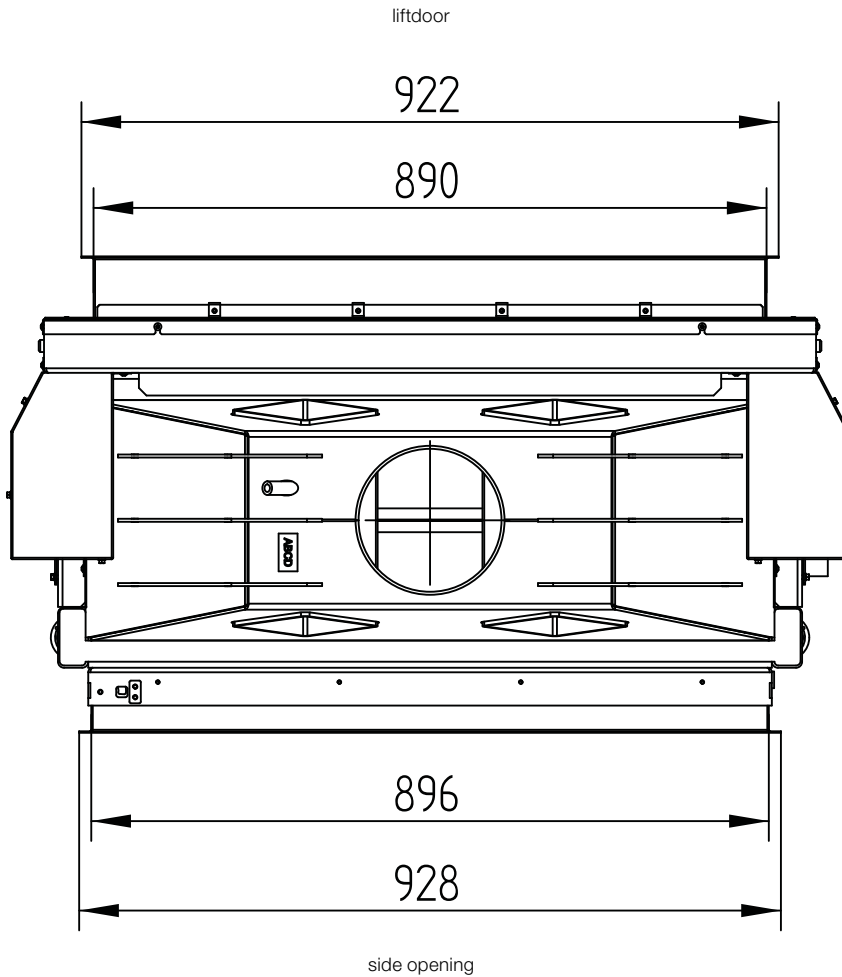


HAKA 89/45 tunnel

Technical data
Version 2019/08

cover frame 89/45 4sides 1 x 90°, 80 mm

M 1:10

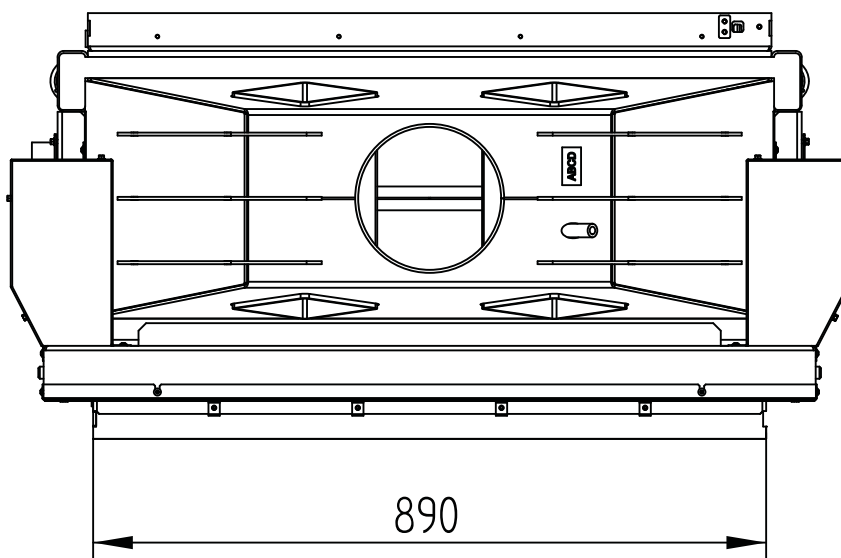
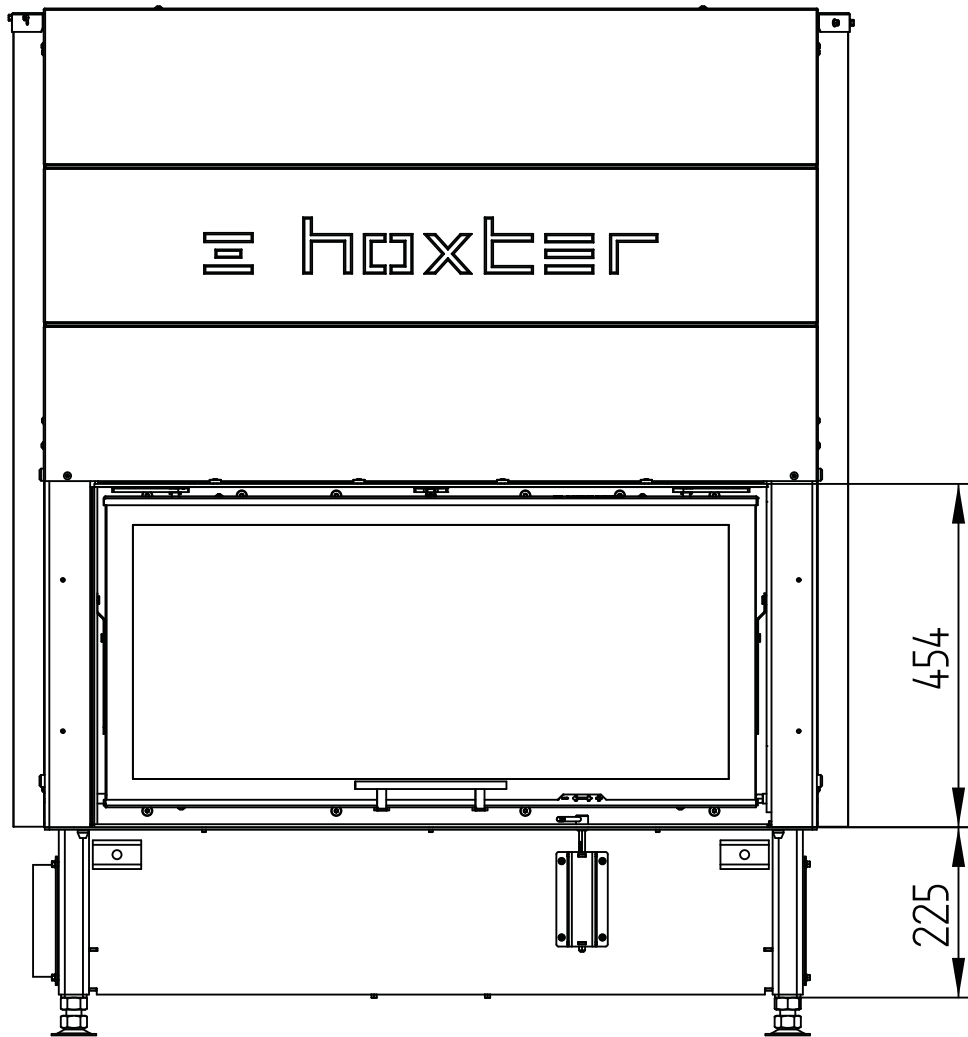


HAKA 89/45 tunnel

Technical data
Version 2019/08

build-on frame 89/45 4seitig, 50 mm

M 1:10

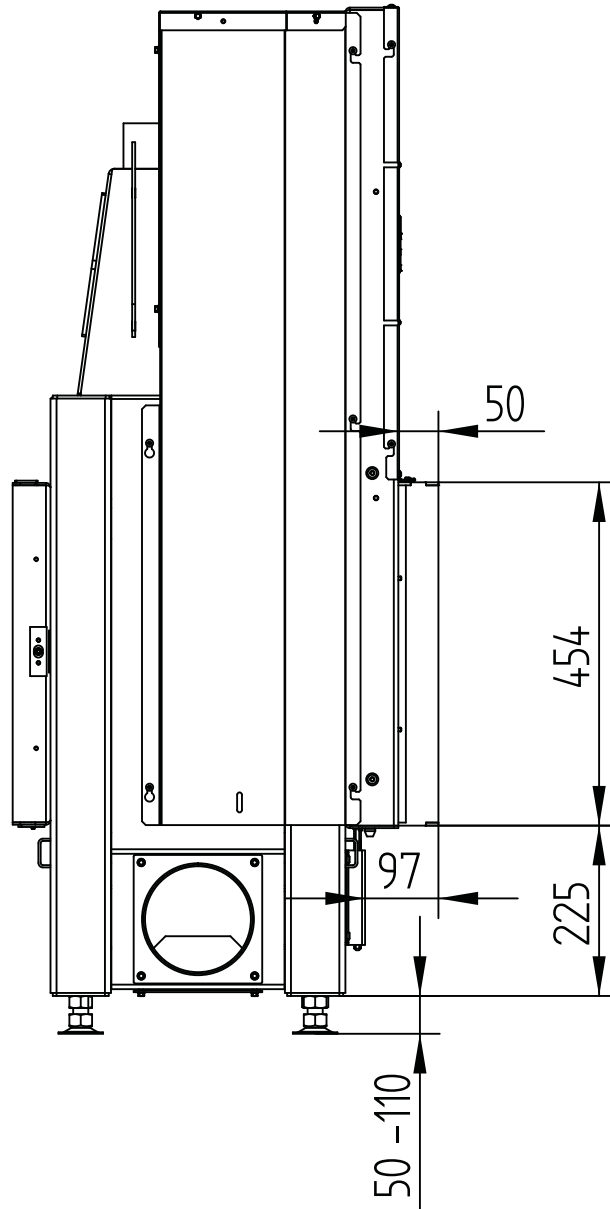


HAKA 89/45 tunnel

Technical data
Version 2019/08

build-on frame 89/45 4seitig, 50 mm

M 1:10

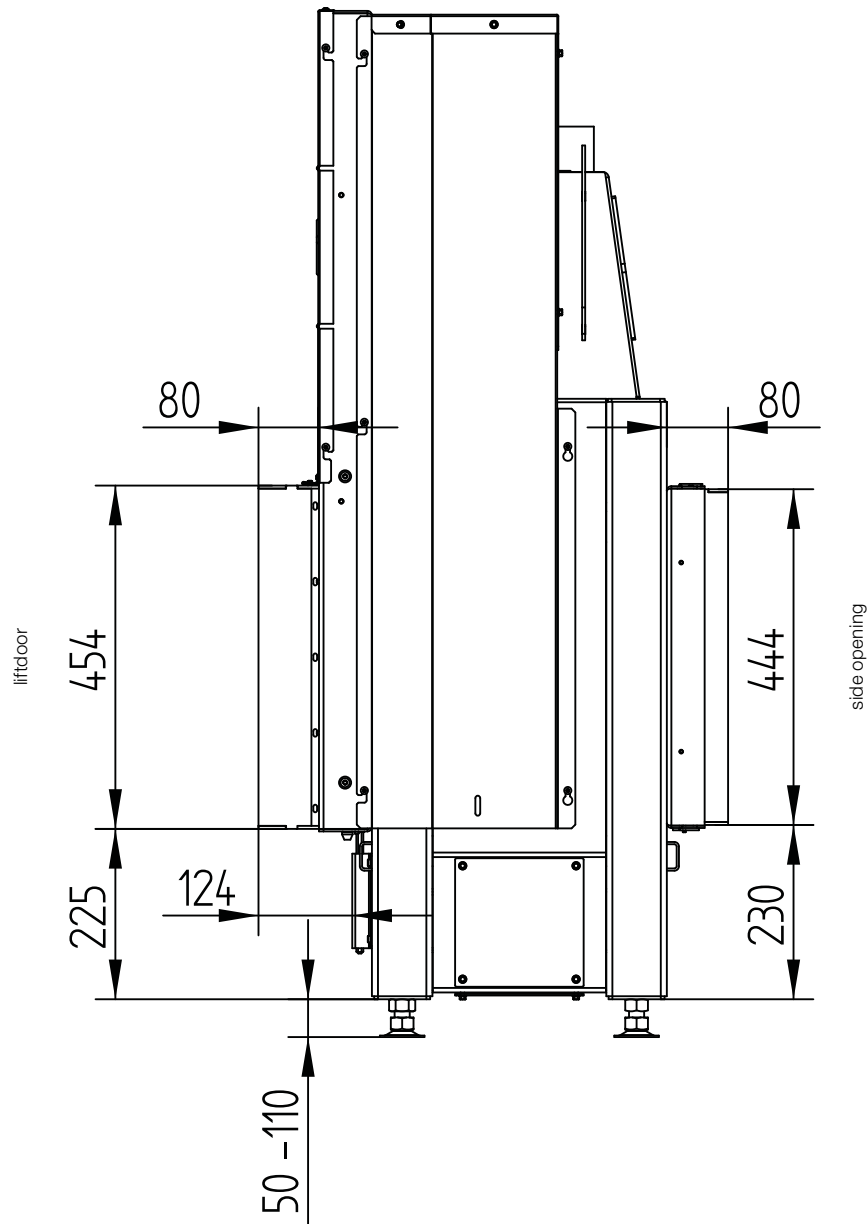


HAKA 89/45 tunnel

Technical data
Version 2019/08

build-on frame 89/45 4sides, 80 mm

M 1:10



HAKA 89/45 tunnel

Technical data
Version 2019/08

build-on frame 89/45 4sides, 80 mm

M 1:10

